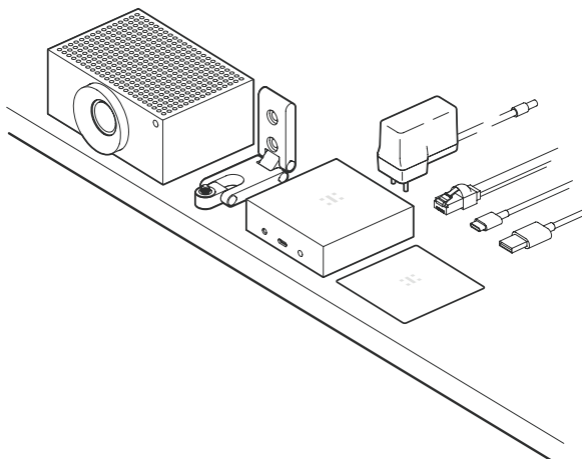
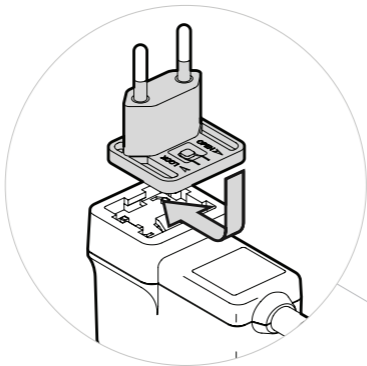


Huddly L1 Setup

1. Overview

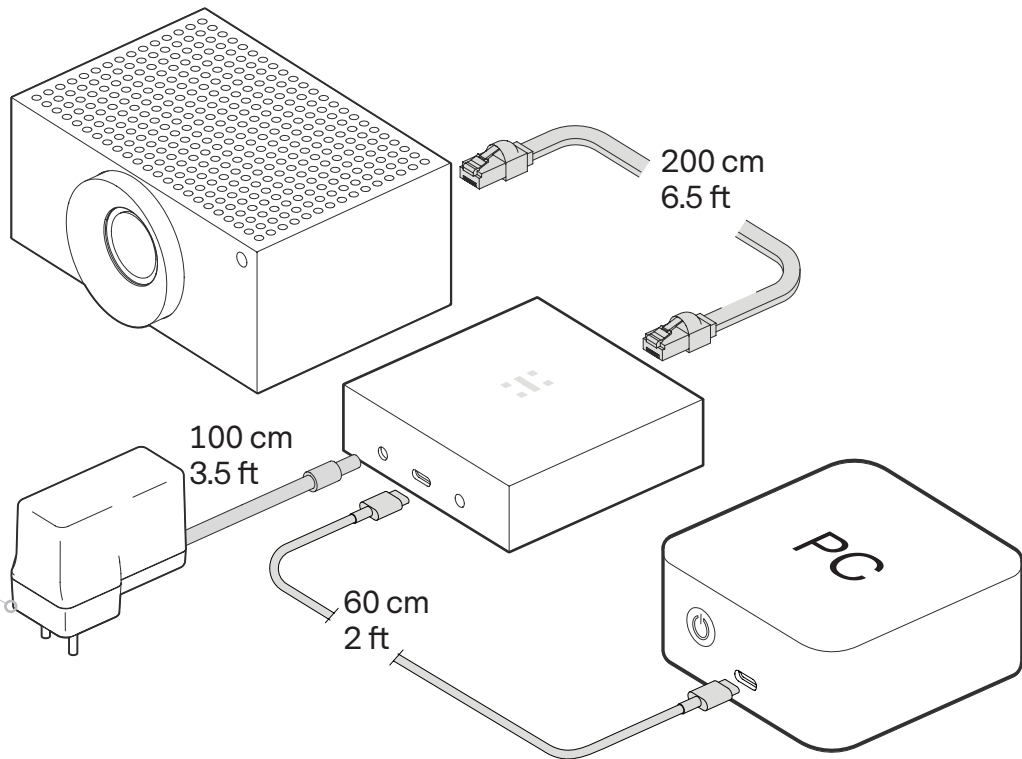


2. Regional Power Plug

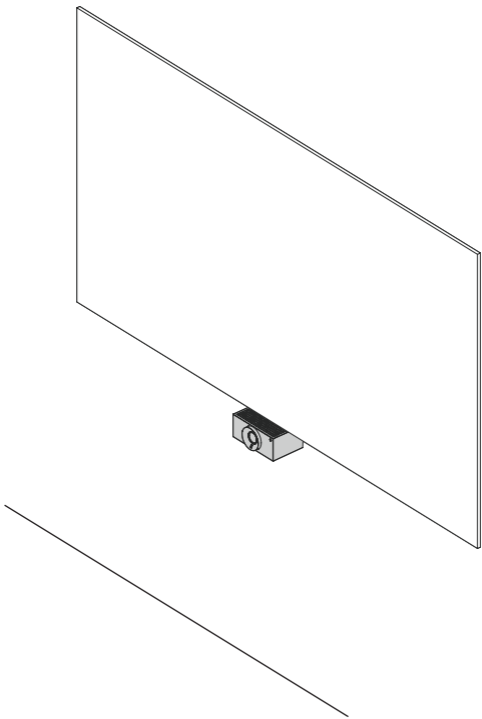


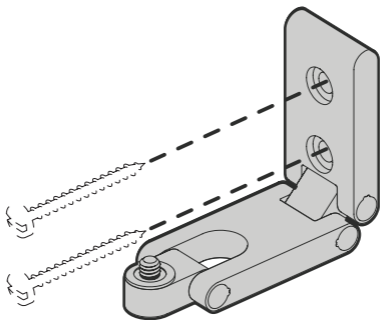
Make sure to use the correct electrical plug for your region. Four (4) alternatives are included with this product. Please consult the “Product and Compliance Information” document at huddly.com/L1/compliance to determine the correct one for you.

3. Connection



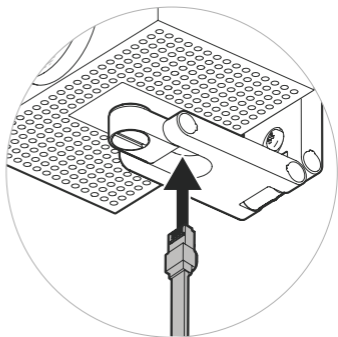
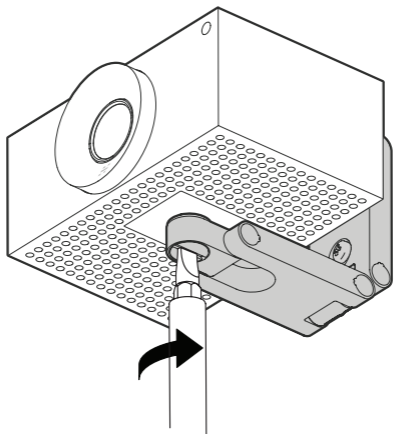
6a. Wall Mounting



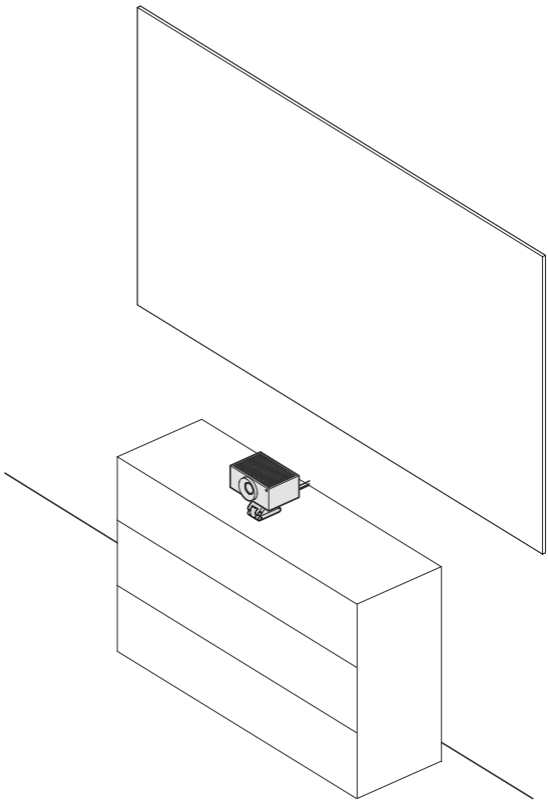


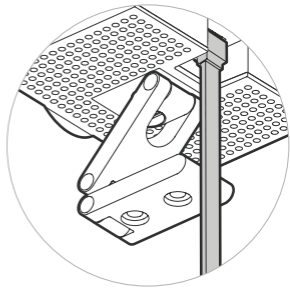
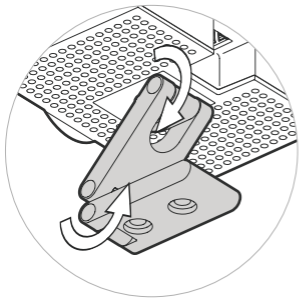
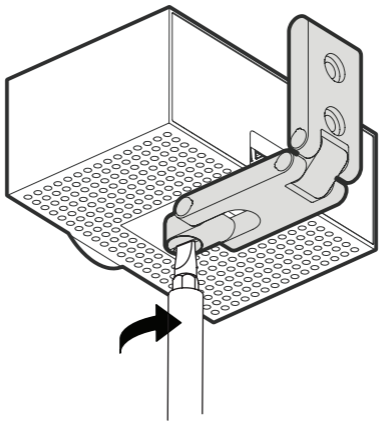
5 mm
#10





6b. Shelf Mounting





7. Finish the Setup

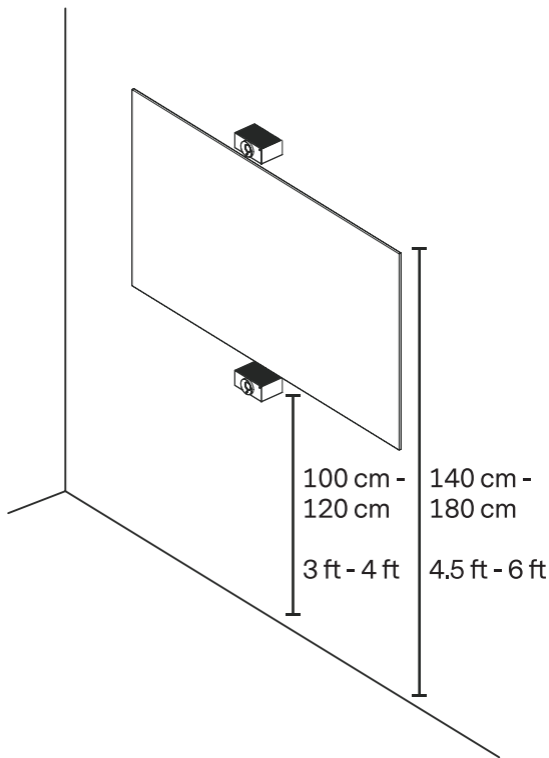
Almost there!
To finish the
setup visit

[huddly.com/
L1/setup](http://huddly.com/L1/setup)

For regulatory compliance information and other information that might be relevant for usage of this product in your country, please visit:
www.huddly.com/L1/compliance

Valid for H3AC and H3BA
Quick Start Guide
HD-PGDE-0109-A0

4. Placement



5. Adapter Mounting

