

Canvas

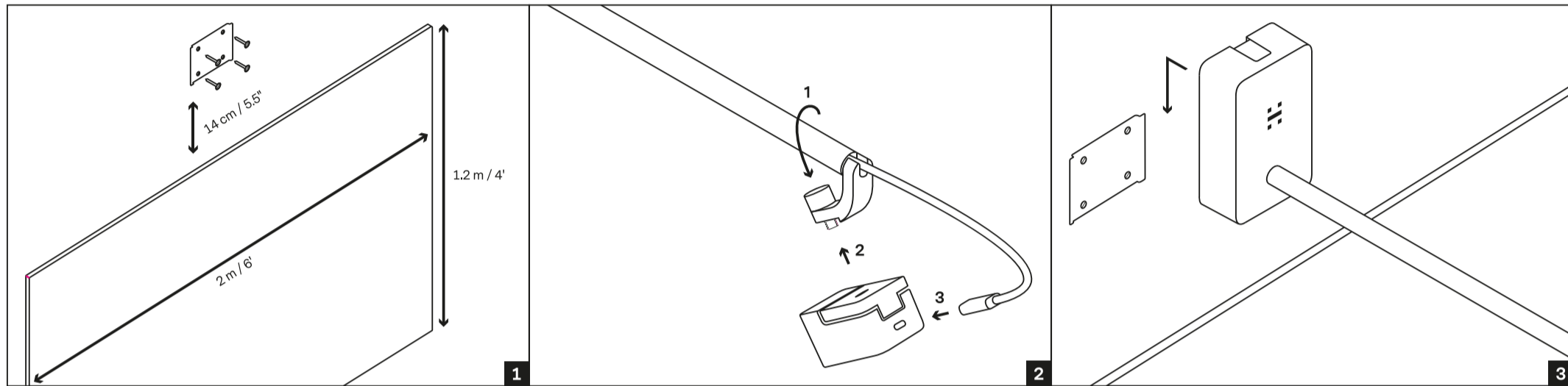
Instruction Manual

Not included:

CAT 5e/6/7 Ethernet cable

4 screws suitable for your wall type (5 mm diameter, or #10 screw)

Whiteboard up to 2 m x 1.2 m/6' x 4'



Place the wall bracket 14 cm/5.5" above the center of your whiteboard

Mount the wall bracket with the tabs facing out

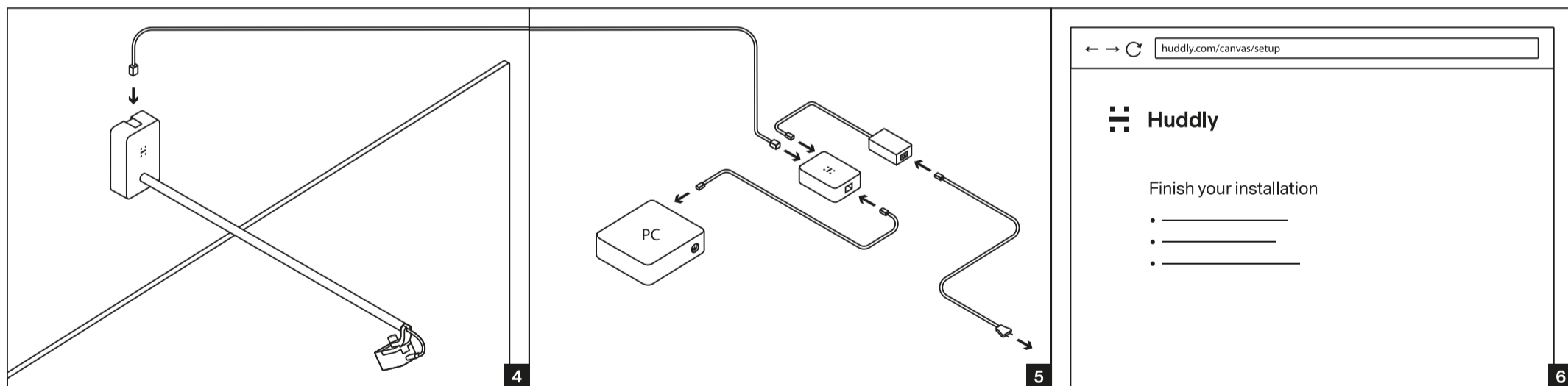
Secure the wall bracket using four screws suitable for your wall type

Rotate the camera arm so that it points down

Fasten the Canvas camera with the camera screw

Connect the USB cable to the camera

Place the Canvas housing over the wall bracket and slide it down carefully until it is safely in place



Connect your Ethernet cable to the top of the Canvas housing

Connect the other side of the Ethernet cable to the included USB extender

Use the included USB cable to connect the USB extender to your meeting room computer

Connect the AC Power Adapter to the USB extender and a power socket

To finish the installation, visit huddly.com/canvas/setup